

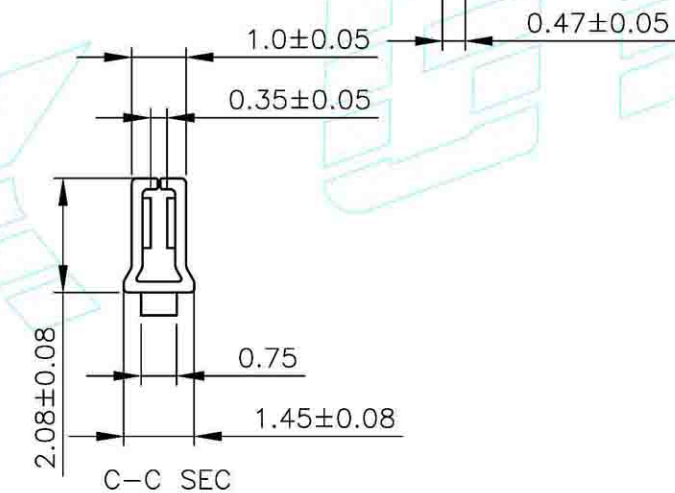
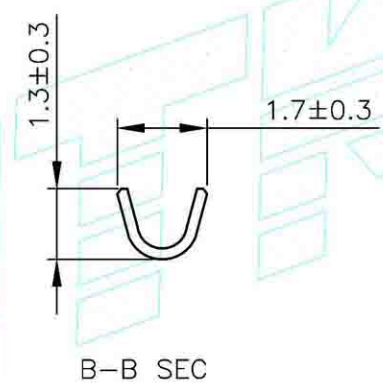
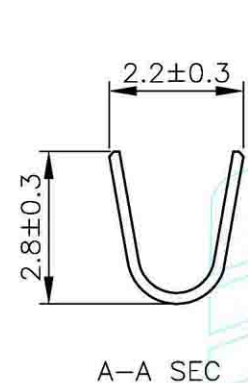
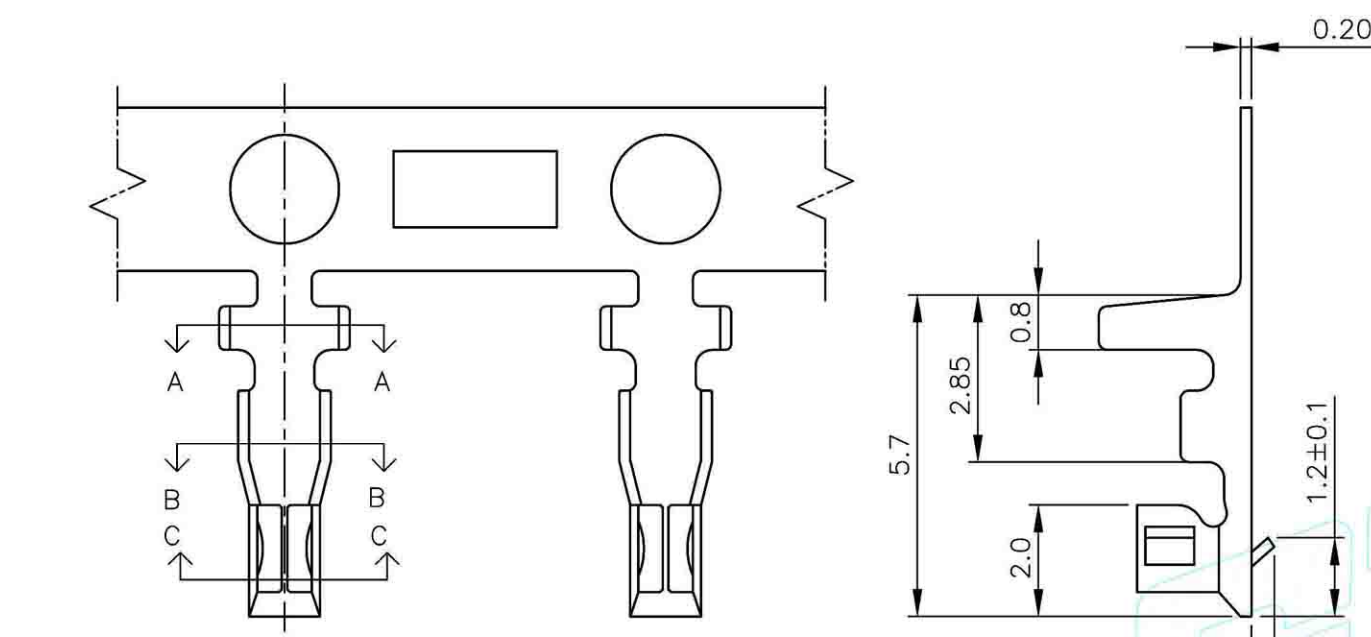
REV	ECN NO.	DESCRIPTION	DATE
A		RELEASE	OCT.30'03

SPECIFICATIONS

- Voltage Rating : 100V AC/DC
- Current Rating : 2A AC/DC
- Withstanding Voltage : 800V AC/minute
- Insulation Resistance : 1,000MΩ min
- Temperature Range : - 25°C to + 85°C
- Contact Resistance : 20mΩ max

TERMINAL

- Part No. : 1124T , 1124G
- Applicable Wires : AWG # 22 - 28
- Material : Phos. Bronze
- Finish : Tin Plated, Gold Plated
- Thickness : 0.2mm
- Q' ty : 10,000 pcs/Reel



TOLERANCE UNLESS OTHERWISE SPECIFIED		
LINEAR	ANGLE	
X. ±	X° ±	
.X ±	.X° ±	
.XX ±	.XX° ±	
.XXX ±	.XXX° ±	
APPD		
CHKD		
DRAW	Z	OCT.30'2003

PROJECTION	
UNITS	MM
SCALE	
SIZE	A4

	GOLD-TEK ELECTRIC CO., LTD.
TITLE	2.00MM CRIMP TERMINAL
CPART NO.	

PART NO.	1124T (G)	
CAD NO.	F:\DRW\HW-A\HW-A0027	SHEET 1 OF 1
圖面編號:GTKSD1194-A(1)		