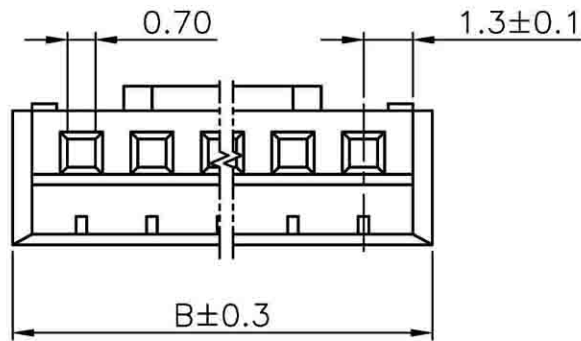


REV	ECN NO.	DESCRIPTION	DATE
A		RELEASE	OCT.30'03

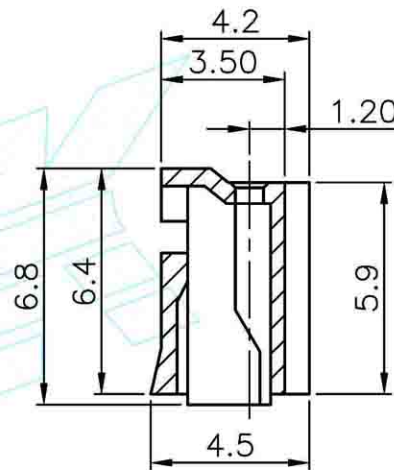
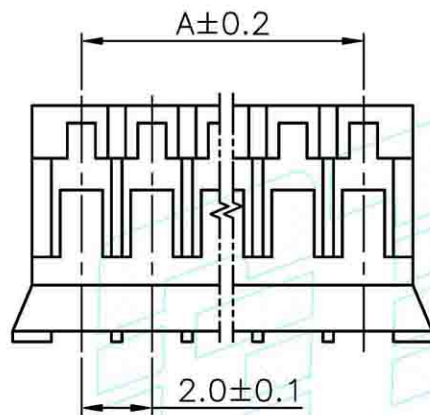


■ SPECIFICATIONS

- Voltage Rating : 100V AC/DC
- Current Rating : 2A AC/DC
- Withstanding Voltage : 800V AC/minute
- Insulation Resistance : 1,000M Ω min
- Temperature range : - 25°C to + 85°C
- Contact resistance : 20m Ω max

■ HOUSING

- Part No. : 1124 XX
- Poles : 2-16
- Material : Nylon 66 UL94V-0
- Q' ty : 1,000 pcs/Bag



Poles	Part No.	Dimension(mm)	
		A	B
2	112402	2.00	5.80
3	112403	4.00	7.80
4	112404	6.00	9.80
5	112405	8.00	11.80
6	112406	10.00	13.80
7	112407	12.00	15.80
8	112408	14.00	17.80
9	112409	16.00	19.80
10	112410	18.00	21.80
11	112411	20.00	23.80
12	112412	22.00	25.80
13	112413	24.00	27.80
14	112414	26.00	29.80
15	112415	28.00	31.80
16	112416	30.00	33.80

TOLERANCE UNLESS OTHERWISE SPECIFIED	
LINEAR	ANGLE
X. \pm	X° \pm
.X \pm	.X° \pm
.XX \pm	.XX° \pm
.XXX \pm	.XXX° \pm
APPD	
CHKD	
DRAW	Z
	OCT.30'2003

PROJECTION	
UNITS	MM
SCALE	
SIZE	A4



GOLD-TEK ELECTRIC CO., LTD.

TITLE
2.00MM CRIMP HOUSING

CPART NO.

PART NO. 1124**

CAD NO. F:\DRW\HW\HW-0038

SHEET 1 OF 1

圖面編號:GTKSD1193-A(1)