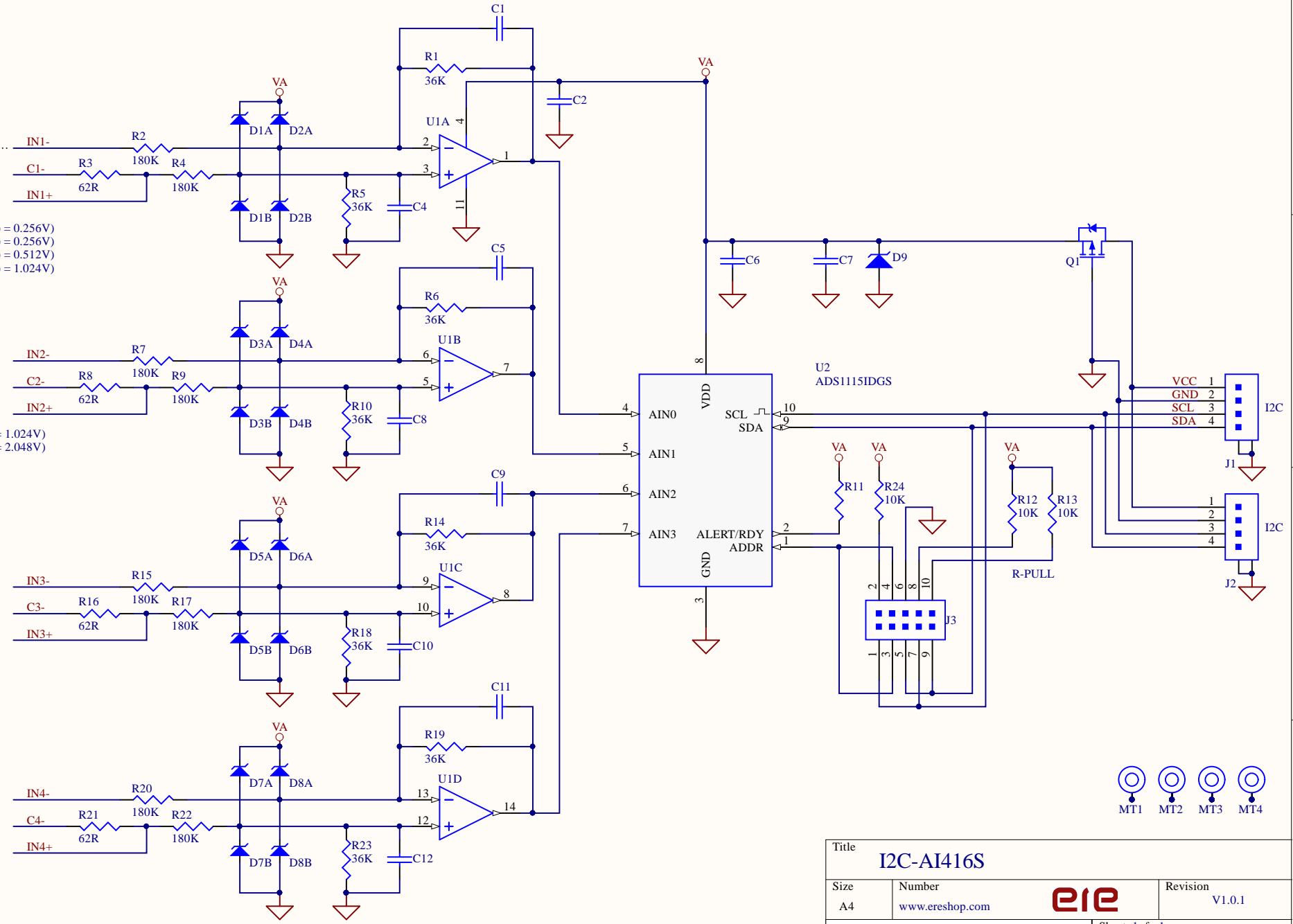
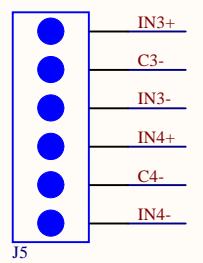
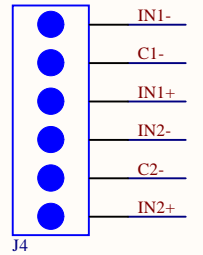


0-20mA (PGA(FSR) = 0.256V)
 4-20mA (PGA(FSR) = 0.256V)
 0-40mA (PGA(FSR) = 0.512V)
 0-80mA (PGA(FSR) = 1.024V)
 *short IN1- to C1-

0- 5V (PGA(FSR) = 1.024V)
 0-10V (PGA(FSR) = 2.048V)
 *open C2-



Title		I2C-AI416S	
Size	Number		Revision
A4	www.reshop.com		V1.0.1
ERE Company Limited.		Sheet 1 of 1	Drawn By: Designer001