

A

B

C

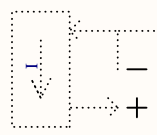
D

1

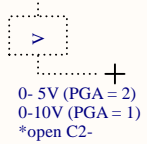
2

3

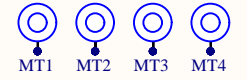
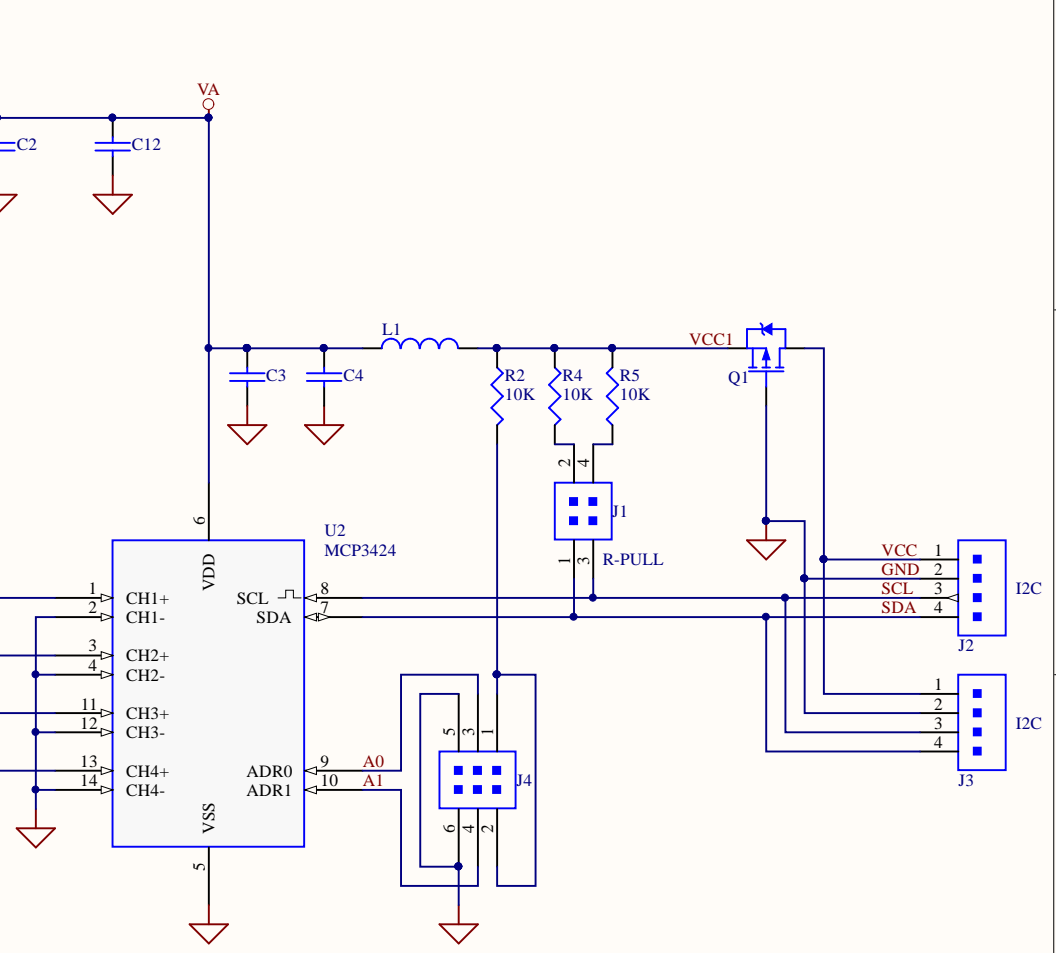
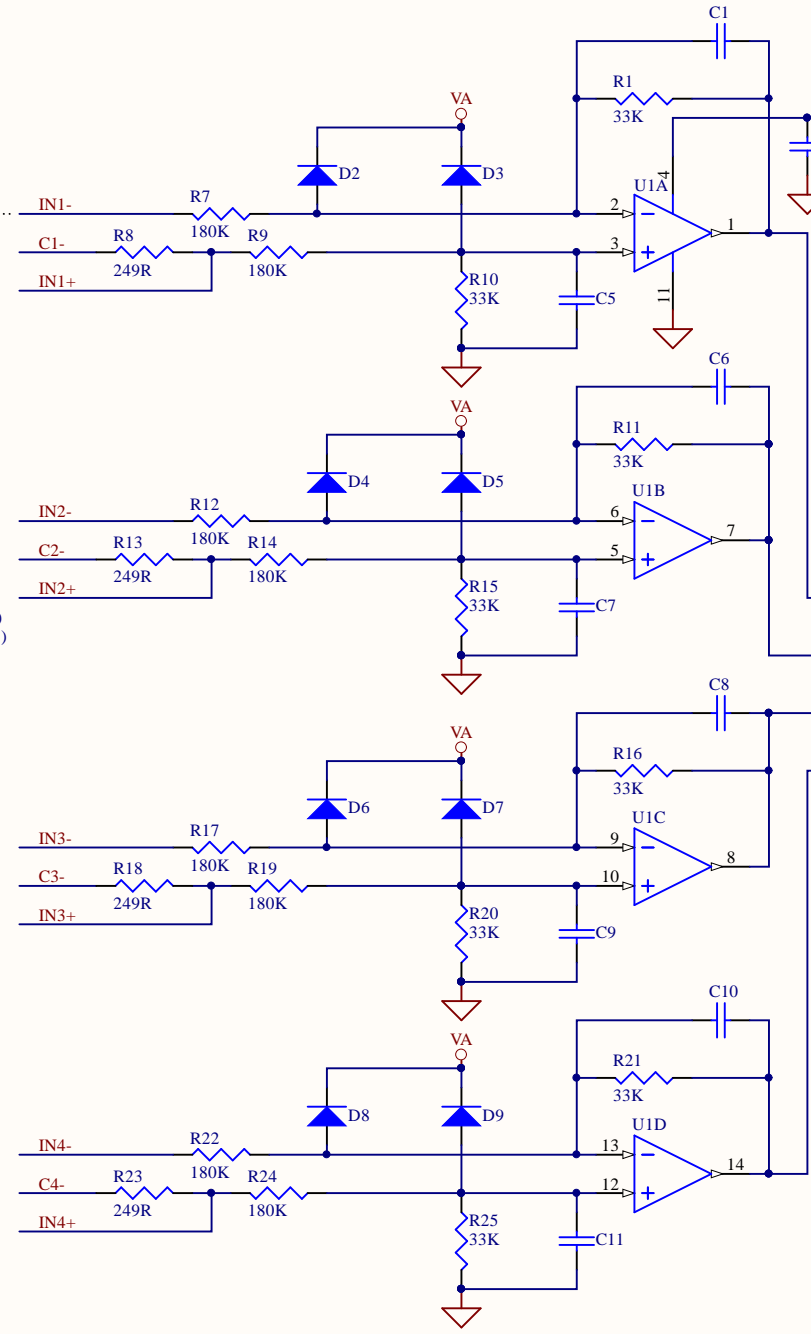
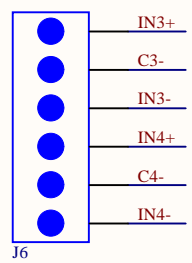
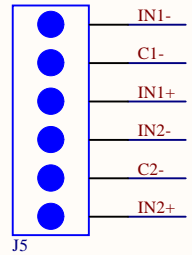
4



0-20mA (PGA = 2)
 4-20mA (PGA = 2)
 0-40mA (PGA = 1)
 0-40mA (PGA = 1)
 *short IN1- to C1-



0- 5V (PGA = 2)
 0-10V (PGA = 1)
 *open C2-



Title		I2C-AI418SV2	
Size	Number		Revision
A4	https://www.ereshop.com		2.0.1
		Sheet 1 of 1	
		Drawn By: ERE Company Limited.	

1

2

3

4

A

B

C

D